

### Cappuccio di protezione in gomma

Rubber protective cap

**IP54/ IP65**

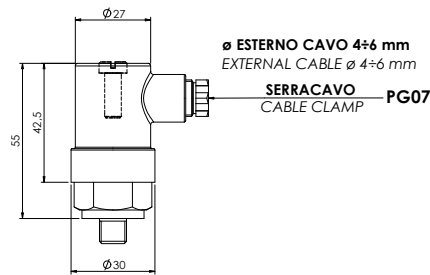
**cod. 3015001 (Ch. 24 mm)**

Per/for MOD. 30-30V-31-31V-35-35V-37-37V  
40-40V -41-41V-41BC-42-506-700-42V-80

**cod. 3015010 (Ch. 27 mm)**

**cod. 3015200 (Ch. 22 mm)**

Per/for MOD. 25R-25D-26



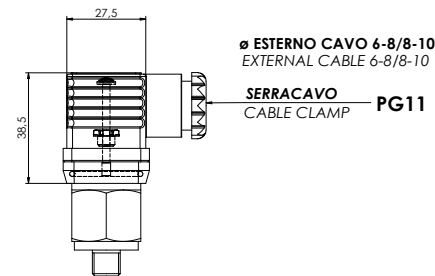
### Cappuccio di protezione in plastica

Plastic protective cap

**IP65**

**cod. 3900001**

Per/for MOD. 30-30V-31-31V-35-35V-37-37V  
40-40V-41-41V-41BC-42-42V-80-506-700



### Connettore di protezione

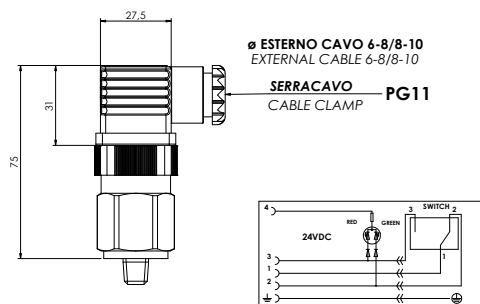
Protective connector

**IP65**

**cod. 3900200**

DIN EN 175301-803-A (DIN 43650)

Per/for MOD. 30-31-32-35-37-40-41-41BC-42  
80-506-700



### Connettore di protezione con LED

luminoso (Rosso/Verde)

Protective connector with LED indicator (Red/Green)

**IP65**

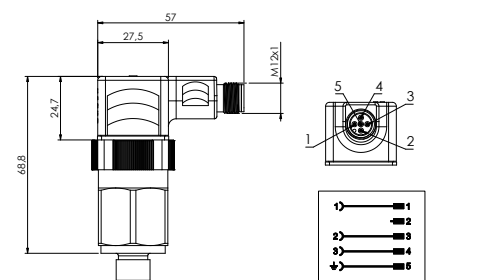
**cod. CNN084-102 (24Vdc)**

DIN EN 175301-803-A (DIN 43650)

**cod. CNN084-003 (12V - 230V)**

DIN EN 175301-803-A (DIN 43650)

Per/for MOD. 38-387-46-48-49-81-691-692-507



### Connettore di protezione DIN M12

DIN M12 Protective connector

**IP67**

**cod. CNN003C024**

Square connector EN175301-803-A - M12x1 male circular  
connector IEC61076-2-101 3 poles + earth

Per/for MOD. 24-27N-28N-38-46-48-49-387-81